

MICROTECH GEFELL 

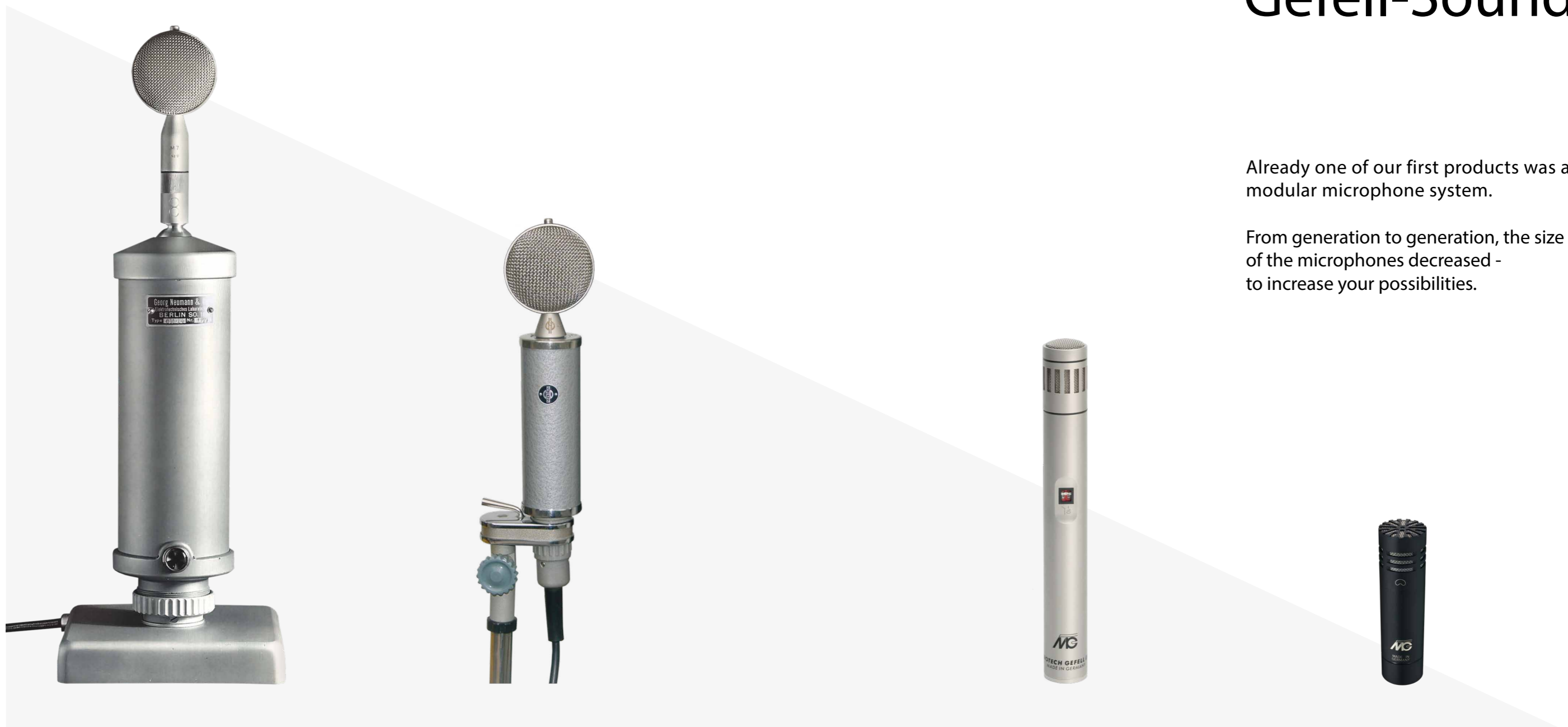


Generation 4 microphone system

carpe sonum

the new **Generation 4 ...**

... compact microphones with the
Gefell-Sound



Already one of our first products was a modular microphone system.

From generation to generation, the size of the microphones decreased - to increase your possibilities.

Generation 1

Generation 2

Generation 3

Generation 4

the new **Generation 4 ...**

... modularity and flexibility



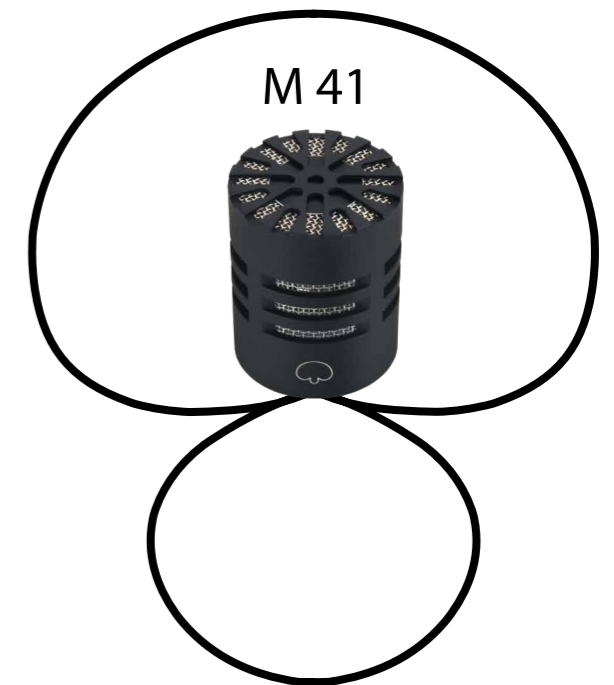
MV 400 with XLR connector
- the professional standard -



MV 400 with LEMO® connector
- the compact solution -



M 40



M 41



M 42



M 43

MV 400 X

microphone preamplifier

for microphone system Generation 4



- ultra compact modular preamplifier
- low noise circuit design
- transistor impedance converter
- transformerless output
- phantom powering P48
- XLR connector

Frequency range	-3 dB	11 Hz to 20 kHz
Gain	at 1 kHz	-1.7 dB ± 0.2 dB
Output impedance		100 Ohm
Inherent noise	IEC 268-4	-118.7 dBu
RL = 1 kΩ; C = 36 pF	CCIR 468-4	-107.2 dBu
Inherent noise	IEC 268-4	-117.8 dBu
RL = 10 kΩ; C = 36 pF	CCIR 468-4	-106.4 dBu
Max output level	RL = 10 kΩ	18.2 dBu
at 0.5% THD	RL = 1 kΩ	17.2 dBu
Max output level	RL = 10 kΩ	18.8 dBu
at 3.0% THD	RL = 1 kΩ	17.7 dBu
Current consumption	P48, IEC 61938	4 mA
RFI shield		yes
Output connector		XLR-3M
Weight		64 g
Length		57 mm
Diameter		21 mm
Surface		black matt
Compatibility	Generation 4	all microphone capsules
	SMS 2000	all microphone capsules

Delivery, Options and Accessories	Typ	Order-No.
Condenser microphone preamplifier, XLR, black matt	MV 400 X	201312
Condenser microphone capsule, cardioid, black matt	M 40	201256
Condenser microphone capsule, super cardioid, black matt	M 41	201257
Condenser microphone capsule, omni directional, black matt	M 42	201258
Condenser microphone capsule, wide cardioid, black matt	M 43	201259
Weather protected case for one microphone	MC 4.01	702031
Microphone holder, black matt	MH 93.1	202385
Microphone clamp, black	MH 22	302350
Microphone bar, for XY / ORTF, black anodized	KS 25	202398
Decca Tree – Set 1, (120 x 60) cm, black anodized	DT 12	610211
Decca Tree – Set 2, (240 x 120) cm, black anodized	DT 24	610210
Table stand, black matt	TS 10	202399
Microphone cable, 10 m, black	C 70.1	202212
Microphone cable, RFI shielded, 10 m, black	C 70.1 HF	202213
Custom color	CO	203002

MV 400 L

microphone preamplifier

for microphone system Generation 4



- ultra compact modular preamplifier
- low noise circuit design
- transistor impedance converter
- transformerless output
- phantom powering P48
- LEMO® connector

Frequency range	-3 dB	11 Hz to 20 kHz
Gain	at 1 kHz	-1.7 dB ± 0.2 dB
Output impedance		100 Ohm
Inherent noise	IEC 268-4	-118.7 dBu
RL = 1 kΩ; C = 36 pF	CCIR 468-4	-107.2 dBu
Inherent noise	IEC 268-4	-117.8 dBu
RL = 10 kΩ; C = 36 pF	CCIR 468-4	-106.4 dBu
Max output level	RL = 10 kΩ	18.2 dBu
at 0.5% THD	RL = 1 kΩ	17.2 dBu
Max output level	RL = 10 kΩ	18.8 dBu
at 3.0% THD	RL = 1 kΩ	17.7 dBu
Current consumption	P48, IEC 61938	4 mA
RFI shield		yes
Output connector		LEMO® triaxial
Weight		57 g
Length		46.5 mm
Diameter		21.0 mm
Surface		black matt
Compatibility	Generation 4	all microphone capsules
	SMS 2000	all microphone capsules

Delivery, Options and Accessories	Typ	Order-No.
Condenser microphone preamplifier, LEMO®, black matt	MV 400 L	201313
Condenser microphone capsule, cardioid, black matt	M 40	201256
Condenser microphone capsule, super cardioid, black matt	M 41	201257
Condenser microphone capsule, omni directional, black matt	M 42	201258
Condenser microphone capsule, wide cardioid, black matt	M 43	201259
Weather protected case for one microphone	MC 4.01	702031
Microphone holder, black matt	MH 93.1	202385
Microphone clamp, black	MH 22	302350
Microphone clamp, black	MH 37	302348
Microphone bar, for XY / ORTF, black anodized	KS 25	202398
Decca Tree – Set 1, (120 x 60) cm, black anodized	DT 12	610211
Decca Tree – Set 2, (240 x 120) cm, black anodized	DT 24	610210
Table stand, black matt	TS 10	202399
Microphone cable, LEMO® / XLR, 2 m, black	C 40.02	202232
Microphone cable, LEMO® / XLR, 10 m, black	C 40.1	202233
Custom color	CO	203002

M 40

microphone capsule

for microphone system Generation 4

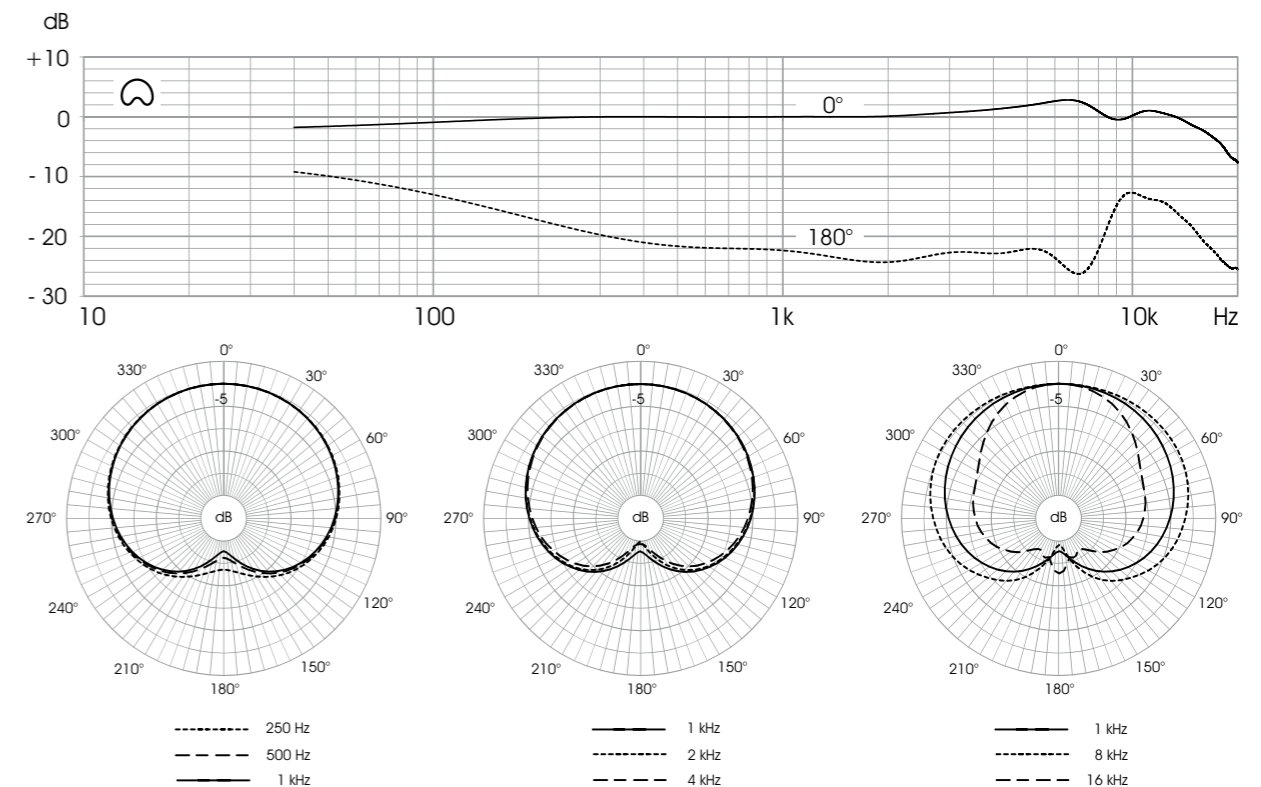


- condenser microphone
- cardioid
- small diaphragm capsule
- PE diaphragm
- modular microphone system
- Generation 4

Polar pattern	cardioid	
Acoustic operating principle	pressure gradient transducer	
Frequency range	20 Hz to 20 kHz	
Sensitivity	at 1 kHz	13 mV/Pa
Output impedance ⁽¹⁾	100 Ohm	
Inherent noise ⁽¹⁾	IEC 268-4	14 dB(A)
	CCIR 468-4	25 dB
Signal-to-noise ratio ⁽¹⁾ (re 1 Pa at 1 kHz)	A-weighted	80 dB
	CCIR-weighted	69 dB
Max SPL ⁽¹⁾	at 0.5% THD	146 dB
Max output level ⁽¹⁾ at 0.5% THD	RL = 10 kΩ	18 dBu
	RL = 1 kΩ	17 dBu
Dynamic range ⁽¹⁾	132 dB	
Current consumption ⁽¹⁾	P48, IEC 61938	4 mA
Weight	26 g	
Length	26 mm	
Diameter	21 mm	

⁽¹⁾ with microphone preamplifier MV 400 X / L

Delivery, Options and Accessories	Typ	Order-No.
Condenser microphone capsule, cardioid, black matt	M 40	201256
Condenser microphone preamplifier, XLR, black matt	MV 400 X	201312
Condenser microphone preamplifier, LEMO®, black matt	MV 400 L	201313
Weather protected case for one microphone	MC 4.01	702031
Windscreen, anthracite	W 19	202414
Windscreen, anthracite	W 20	202401
Popscreen, with foam disc, gooseneck and stand clamp, black	P 110	600097
Foam disc for popscreen, diameter 105 mm, black	P 110 foam disc	600168
Microphone holder, black matt	MH 93.1	202385
Microphone clamp, black	MH 22	302350
Microphone bar, for XY / ORTF, black anodized	KS 25	202398
Decca Tree – Set 1, (120 x 60) cm, black anodized	DT 12	610211
Decca Tree – Set 2, (240 x 120) cm, black anodized	DT 24	610210
Table stand, black matt	TS 10	202399
Custom color	CO	203002



M 41

microphone capsule

for microphone system Generation 4

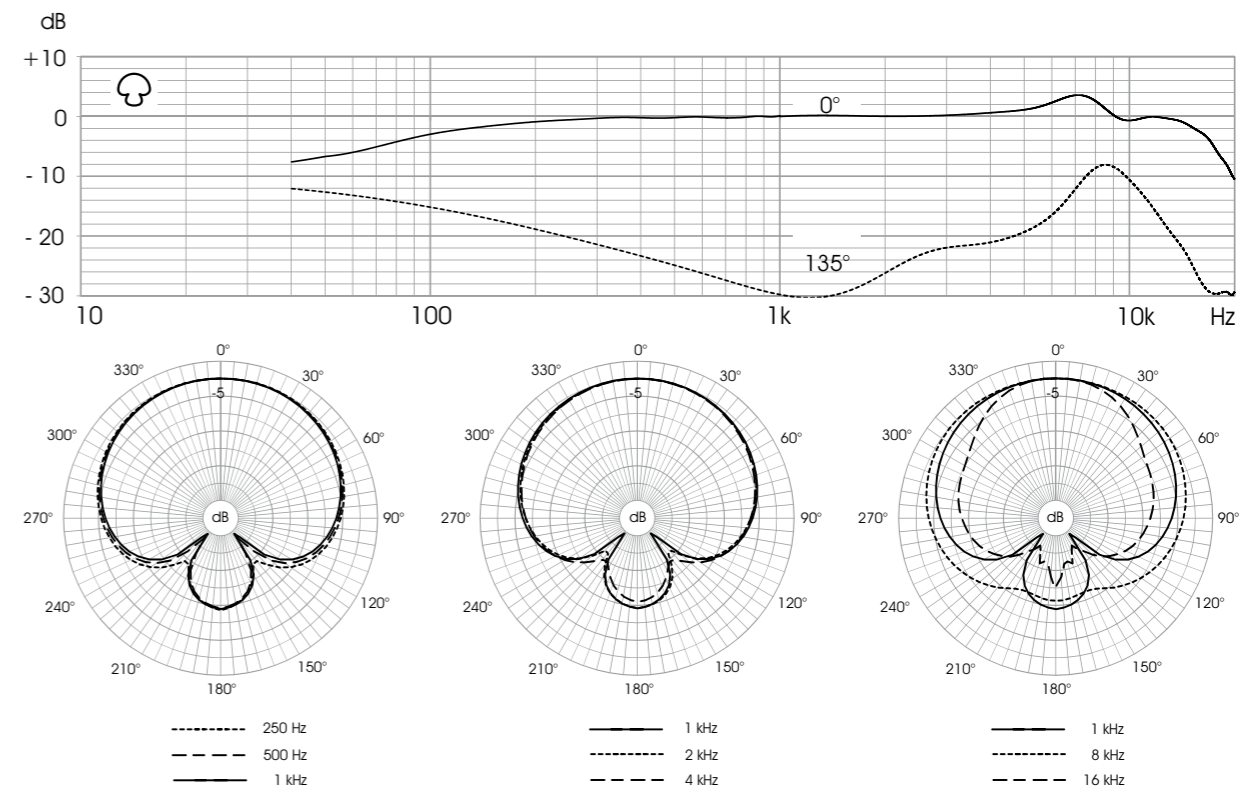


- condenser microphone
- supercardioid
- small diaphragm capsule
- PE diaphragm
- modular microphone system
- Generation 4

Polar pattern	super cardioid	
Acoustic operating principle	pressure gradient transducer	
Frequency range	20 Hz to 20 kHz	
Sensitivity	at 1 kHz	14 mV/Pa
Output impedance ⁽¹⁾	100 Ohm	
Inherent noise ⁽¹⁾	IEC 268-4	14 dB(A)
	CCIR 468-4	23 dB
Signal-to-noise ratio ⁽¹⁾ (re 1 Pa at 1 kHz)	A-weighted	80 dB
	CCIR-weighted	71 dB
Max SPL ⁽¹⁾	at 0.5% THD	146 dB
Max output level ⁽¹⁾ at 0.5% THD	RL = 10 kΩ	18 dBu
	RL = 1 kΩ	17 dBu
Dynamic range ⁽¹⁾	132 dB	
Current consumption ⁽¹⁾	P48, IEC 61938	4 mA
Weight	26 g	
Length	26 mm	
Diameter	21 mm	

⁽¹⁾ with microphone preamplifier MV 400 X / L

Delivery, Options and Accessories	Typ	Order-No.
Condenser microphone capsule, cardioid, black matt	M 41	201257
Condenser microphone preamplifier, XLR, black matt	MV 400 X	201312
Condenser microphone preamplifier, LEMO®, black matt	MV 400 L	201313
Weather protected case for one microphone	MC 4.01	702031
Windscreen, anthracite	W 19	202414
Windscreen, anthracite	W 20	202401
Popscreen, with foam disc, gooseneck and stand clamp, black	P 110	600097
Foam disc for popscreen, diameter 105 mm, black	P 110 foam disc	600168
Microphone holder, black matt	MH 93.1	202385
Microphone clamp, black	MH 22	302350
Microphone bar, for XY / ORTF, black anodized	KS 25	202398
Decca Tree – Set 1, (120 x 60) cm, black anodized	DT 12	610211
Decca Tree – Set 2, (240 x 120) cm, black anodized	DT 24	610210
Table stand, black matt	TS 10	202399
Custom color	CO	203002



M 42

microphone capsule

for microphone system Generation 4

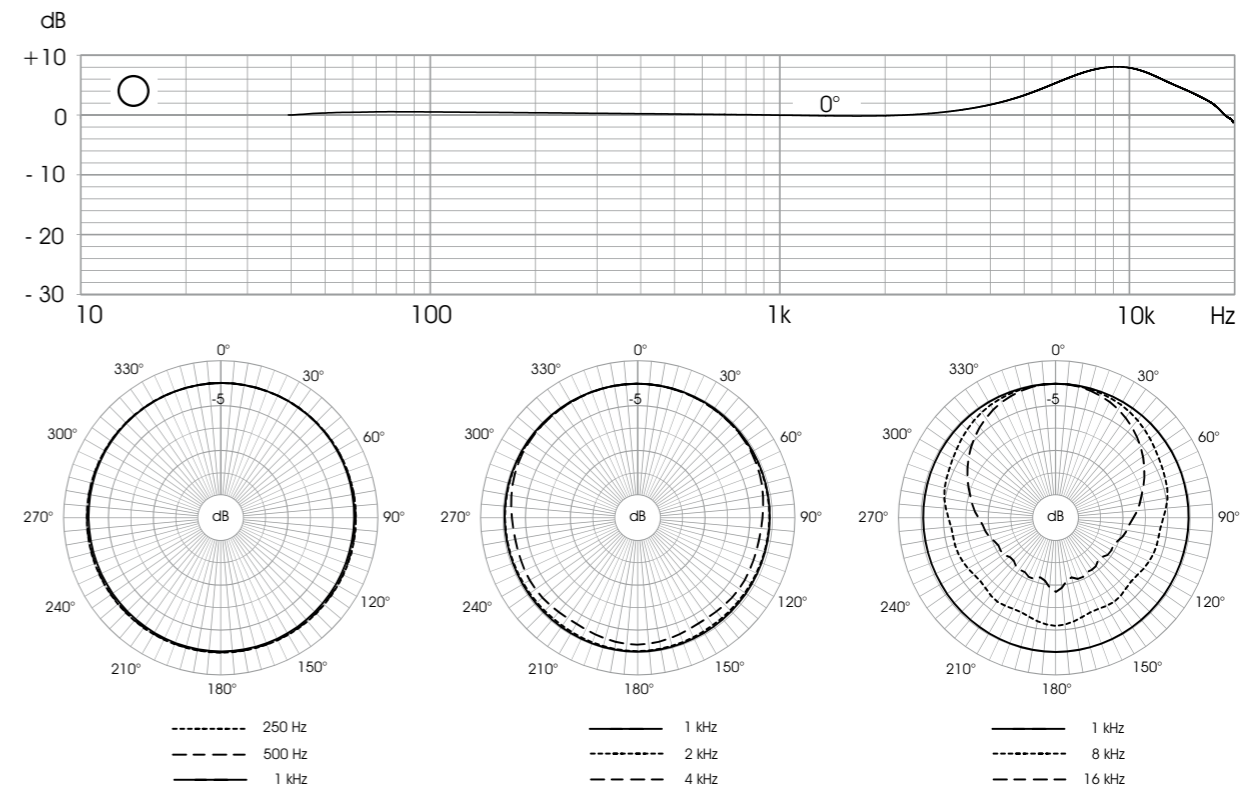


- condenser microphone
- omni-directional
- small diaphragm capsule
- PE diaphragm
- modular microphone system
- Generation 4

Polar pattern	omni directional	
Acoustic operating principle	pressure transducer	
Frequency range	20 Hz to 20 kHz	
Sensitivity	at 1 kHz	15 mV/Pa
Output impedance ⁽¹⁾	100 Ohm	
Inherent noise ⁽¹⁾	IEC 268-4	13 dB(A)
	CCIR 468-4	25 dB
Signal-to-noise ratio ⁽¹⁾ (re 1 Pa at 1 kHz)	A-weighted	81 dB
	CCIR-weighted	69 dB
Max SPL ⁽¹⁾	at 0.5% THD	145 dB
Max output level ⁽¹⁾ at 0.5% THD	RL = 10 kΩ	18 dBu
	RL = 1 kΩ	17 dBu
Dynamic range ⁽¹⁾	132 dB	
Current consumption ⁽¹⁾	P48, IEC 61938	4 mA
Weight	29 g	
Length	26 mm	
Diameter	21 mm	

⁽¹⁾ with microphone preamplifier MV 400 X / L

Delivery, Options and Accessories	Typ	Order-No.
Condenser microphone capsule, omni directional, black matt	M 42	201258
Condenser microphone preamplifier, XLR, black matt	MV 400 X	201312
Condenser microphone preamplifier, LEMO®, black matt	MV 400 L	201313
Weather protected case for one microphone	MC 4.01	702031
Windscreen, anthracite	W 19	202414
Windscreen, anthracite	W 20	202401
Popscreen, with foam disc, gooseneck and stand clamp, black	P 110	600097
Foam disc for popscreen, diameter 105 mm, black	P 110 foam disc	600168
Microphone holder, black matt	MH 93.1	202385
Microphone clamp, black	MH 22	302350
Microphone bar, for XY / ORTF, black anodized	KS 25	202398
Decca Tree – Set 1, (120 x 60) cm, black anodized	DT 12	610211
Decca Tree – Set 2, (240 x 120) cm, black anodized	DT 24	610210
Table stand, black matt	TS 10	202399
Custom color	CO	203002



M 43

microphone capsule

for microphone system Generation 4

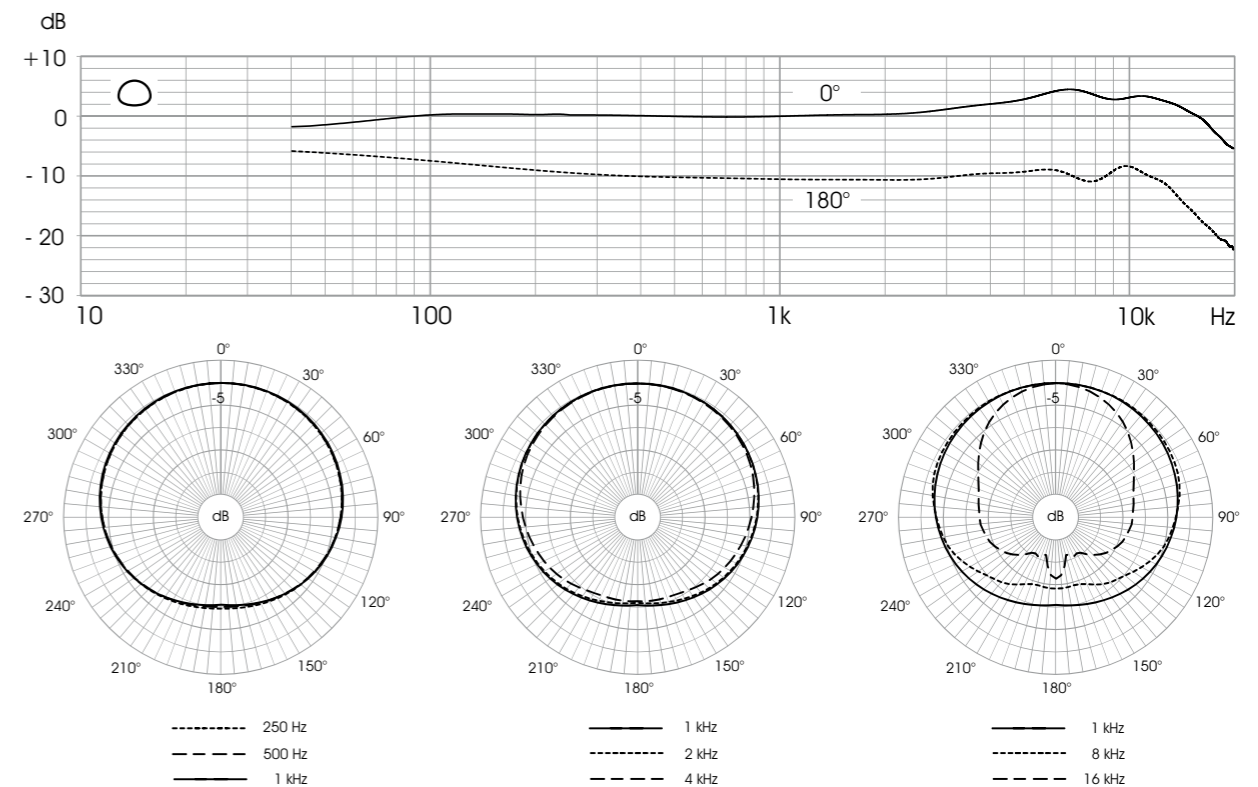


- condenser microphone
- widecardioid
- small diaphragm capsule
- PE diaphragm
- modular microphone system
- Generation 4

Polar pattern	wide cardioid	
Acoustic operating principle	pressure gradient transducer	
Frequency range	20 Hz to 20 kHz	
Sensitivity	at 1 kHz	11 mV/Pa
Output impedance ⁽¹⁾	100 Ohm	
Inherent noise ⁽¹⁾	IEC 268-4	15 dB(A)
	CCIR 468-4	26 dB
Signal-to-noise ratio ⁽¹⁾ (re 1 Pa at 1 kHz)	A-weighted	79 dB
	CCIR-weighted	68 dB
Max SPL ⁽¹⁾	at 0.5% THD	148 dB
Max output level ⁽¹⁾ at 0.5% THD	RL = 10 kΩ	18 dBu
	RL = 1 kΩ	17 dBu
Dynamic range ⁽¹⁾	133 dB	
Current consumption ⁽¹⁾	P48, IEC 61938	4 mA
Weight	26 g	
Length	26 mm	
Diameter	21 mm	

⁽¹⁾ with microphone preamplifier MV 400 X / L

Delivery, Options and Accessories	Typ	Order-No.
Condenser microphone capsule, wide cardioid, black matt	M 43	201259
Condenser microphone preamplifier, XLR, black matt	MV 400 X	201312
Condenser microphone preamplifier, LEMO®, black matt	MV 400 L	201313
Weather protected case for one microphone	MC 4.01	702031
Windscreen, anthracite	W 19	202414
Windscreen, anthracite	W 20	202401
Popscreen, with foam disc, gooseneck and stand clamp, black	P 110	600097
Foam disc for popscreen, diameter 105 mm, black	P 110 foam disc	600168
Microphone holder, black matt	MH 93.1	202385
Microphone clamp, black	MH 22	302350
Microphone bar, for XY / ORTF, black anodized	KS 25	202398
Decca Tree – Set 1, (120 x 60) cm, black anodized	DT 12	610211
Decca Tree – Set 2, (240 x 120) cm, black anodized	DT 24	610210
Table stand, black matt	TS 10	202399
Custom color	CO	203002



the new **Generation 4** ...

... your perfect project



the new **Generation 4 ...**

... table microphones



Accessories



MH 93.1
Microphone holder, black matt



MH 22
Microphone clamp, black



TS 10
Table stand, black matt



C 40.02 2 m
Microphone cable, LEMO®/XLR



C 40.1 10 m
Microphone cable, LEMO®/XLR



W 19
Windscreen, anthracite



W 20
Windscreen, anthracite



PEN GENERATION4.03 (16.08.2024) ©Microtech Gefell GmbH

Microtech Gefell GmbH · Georg-Neumann-Platz · 07926 Gefell · Germany
Phone +49 (0)36649 882-0 · Fax +49 (0)36649 882-11 · www.microtechgefell.de · info@microtechgefell.de

