



M 330

studio microphone

versatile applicable for
high quality recordings

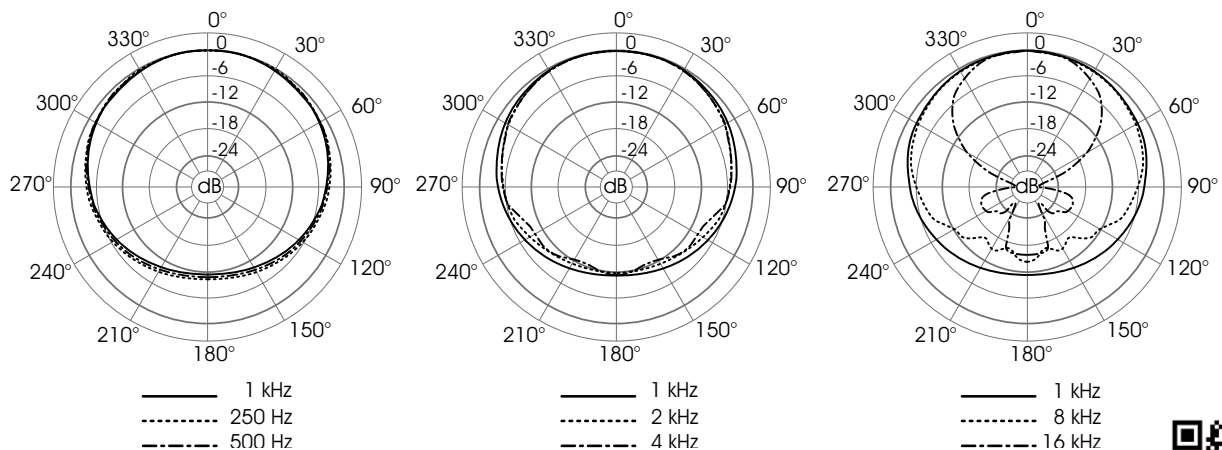
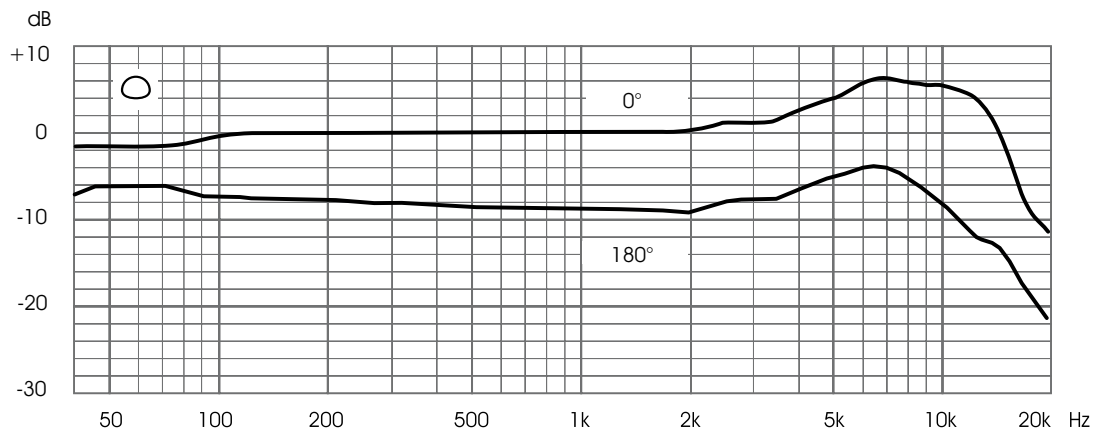
- condenser microphone
- widecardioid
- small diaphragm capsule
- PE diaphragm
- transistor pre-amplifier
- phantom powering P48

| Delivery, Options and Accessories | Typ | Order-No. |
|---|---------|-----------|
| Studio microphone, dark bronze | M 330 | 2111186 |
| Windscreen, anthracite | W 21 | 202421 |
| Popscreen, black | P 110 | 600097 |
| Foam disk, black, spare part | | 600168 |
| Microphone holder, Ø 21 mm, dark bronze | MH 93.1 | 202303 |
| Microphone holder, Ø 21 mm, black | MH 22 | 302350 |
| Elastic suspension, dark bronze | EH 93 P | 202358 |
| Table stand, black matt | TS 10 | 202399 |
| Double mount, dark bronze | TD 93 | 202332 |
| Microphone bar, black | KS 25 | 202398 |
| Microphone bar extension piece, black | | 600180 |

M 330



| | | |
|---|----------------|------------------------------|
| Polar pattern | | Widcardioid |
| Acoustic operating principle | | Pressure gradient transducer |
| Frequency range | | 20 to 20 000 Hz |
| Sensitivity at 1 kHz | | 11 mV/Pa |
| Output impedance | | 100 Ω |
| Inherent noise | IEC 268-4 | 14 dB(A) |
| | CCIR 468-4 | 25 dB |
| Signal-to-noise ratio (re 1 Pa at 1 kHz) | A-weighted | 80 dB |
| | CCIR-weighted | 69 dB |
| Max SPL | at 0.5% THD | 148 dB |
| Dynamic range of electronics | | 134 dB |
| Current consumption | P48, IEC 61938 | 3.8 mA |
| Output connector | | XLR-3M |
| Weight | | 126 g |
| Dimensions (L x Ø) | | 130 mm x 21 mm |



DEN 211186.01 (01.11.2024) ©Microtech Gefell GmbH

